



File Name: C602.dwg - User: artem - Plot File Created: Feb 27, 2019 - 8:51am

Rev	Description	Eng	Draft	Date	Rev	Description	Eng	Draft	Date	Rev	Description	Eng	Draft	Date
P3	PRELIMINARY	EC	SP	27.02.2019										
P2	PRELIMINARY	EC	SP	15.02.2019										
P1	PRELIMINARY	EC	HM	10.12.2018										

Client  
 Project  
 Civil Engineer

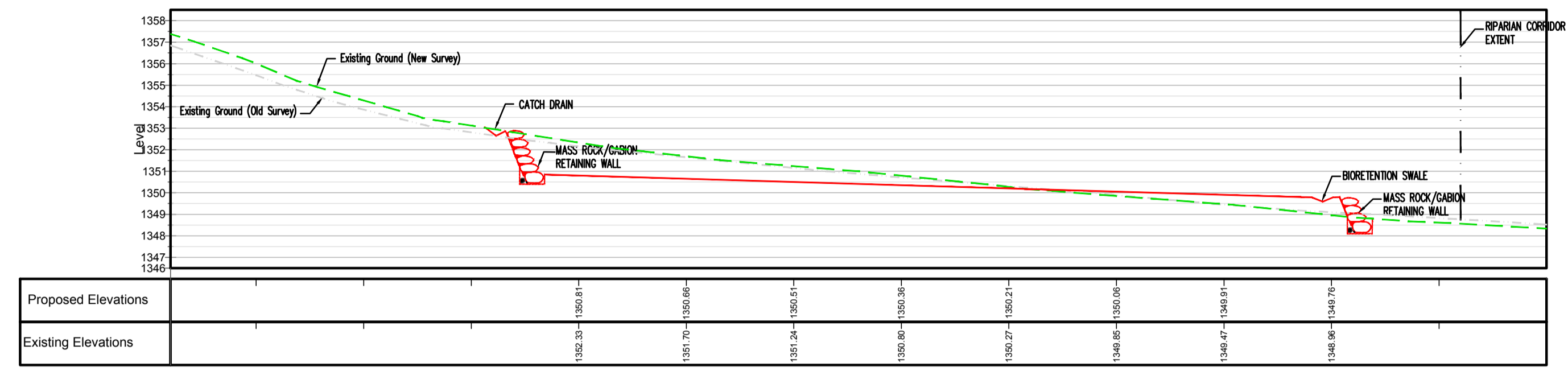
**TTW** Taylor Thomson Whitting  
 612 9439 7288 | 48 Chandos Street, St Leonards, NSW 2065

Project  
**THREDBO ALPINE RESORT  
 FRIDAY FLAT CAR PARKS**

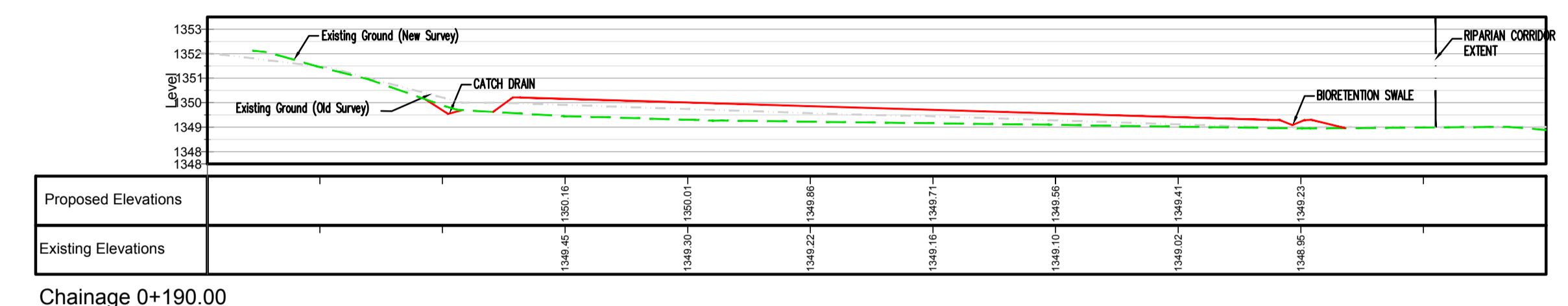
Sheet Subject  
**SITWORKS PLAN SHEET 1  
 CARPARK 3**

Scale: A1  
 1:300  
 Drawn: HM  
 Authorised: EC  
 Job No: 181487  
 Drawing No: C602  
 Revision: P3  
 Plot File Created: Feb 27, 2019 - 8:51am

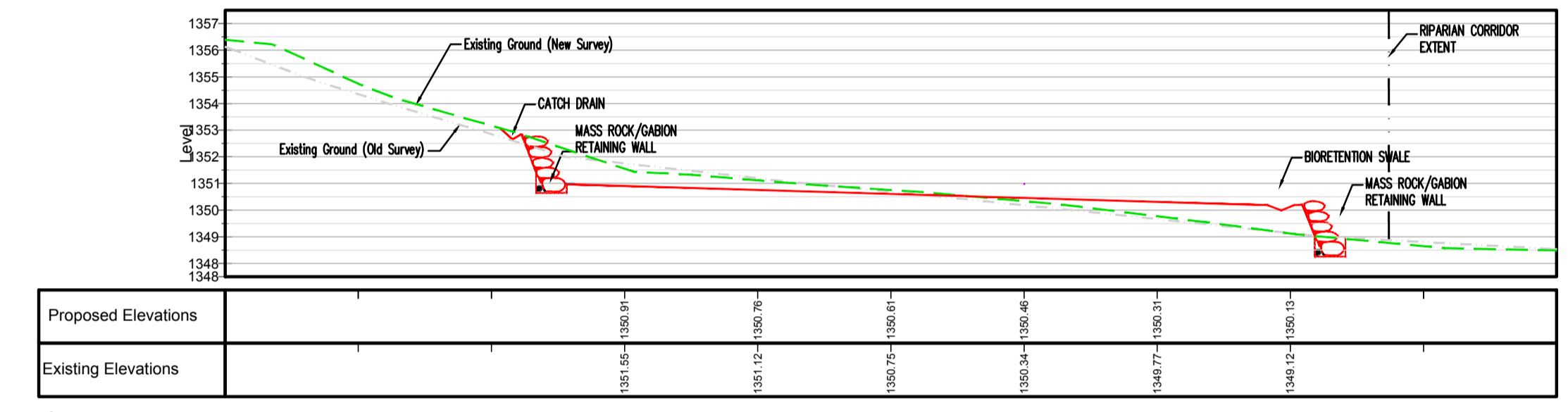
**DA SUBMISSION**



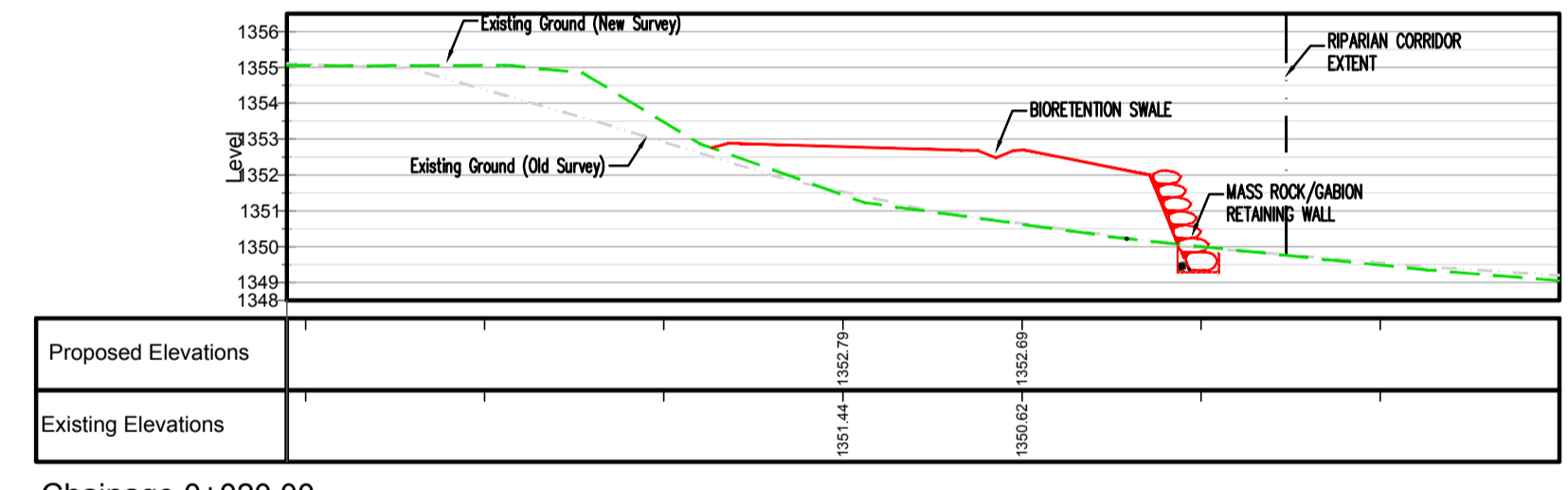
Chainage 0+140.00



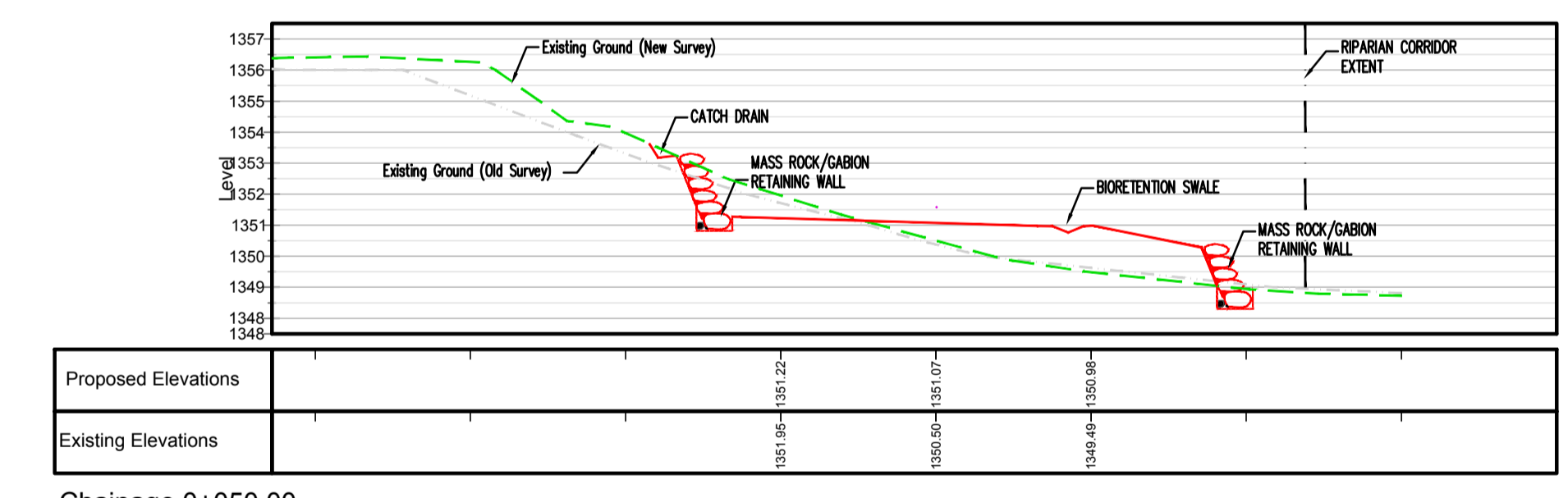
Chainage 0+190.00



Chainage 0+100.00

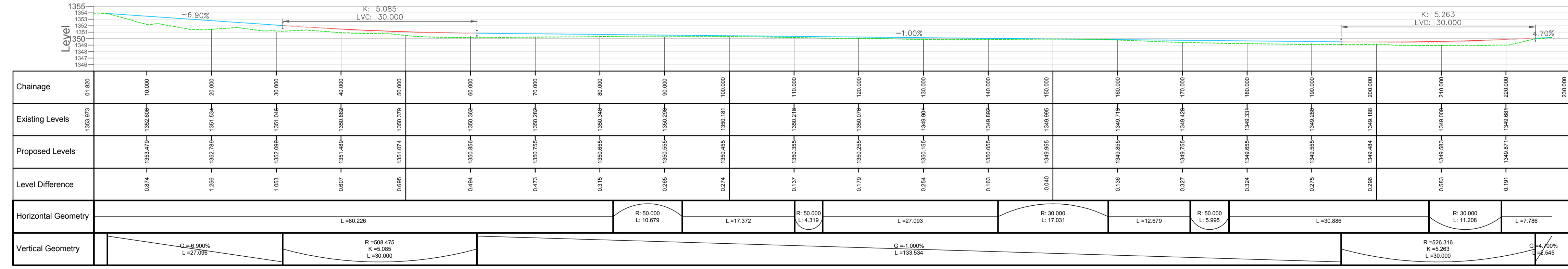


Chainage 0+020.00



Chainage 0+050.00

CP3 LONG SECTION

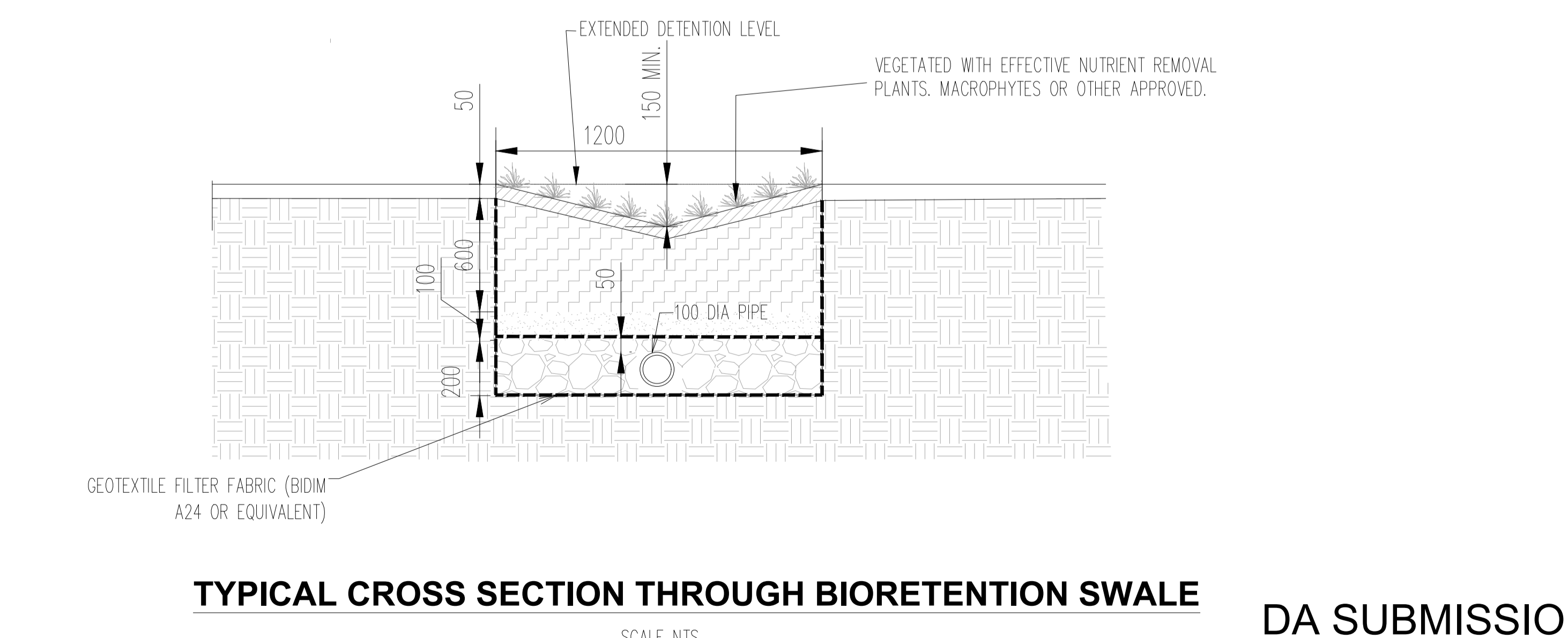
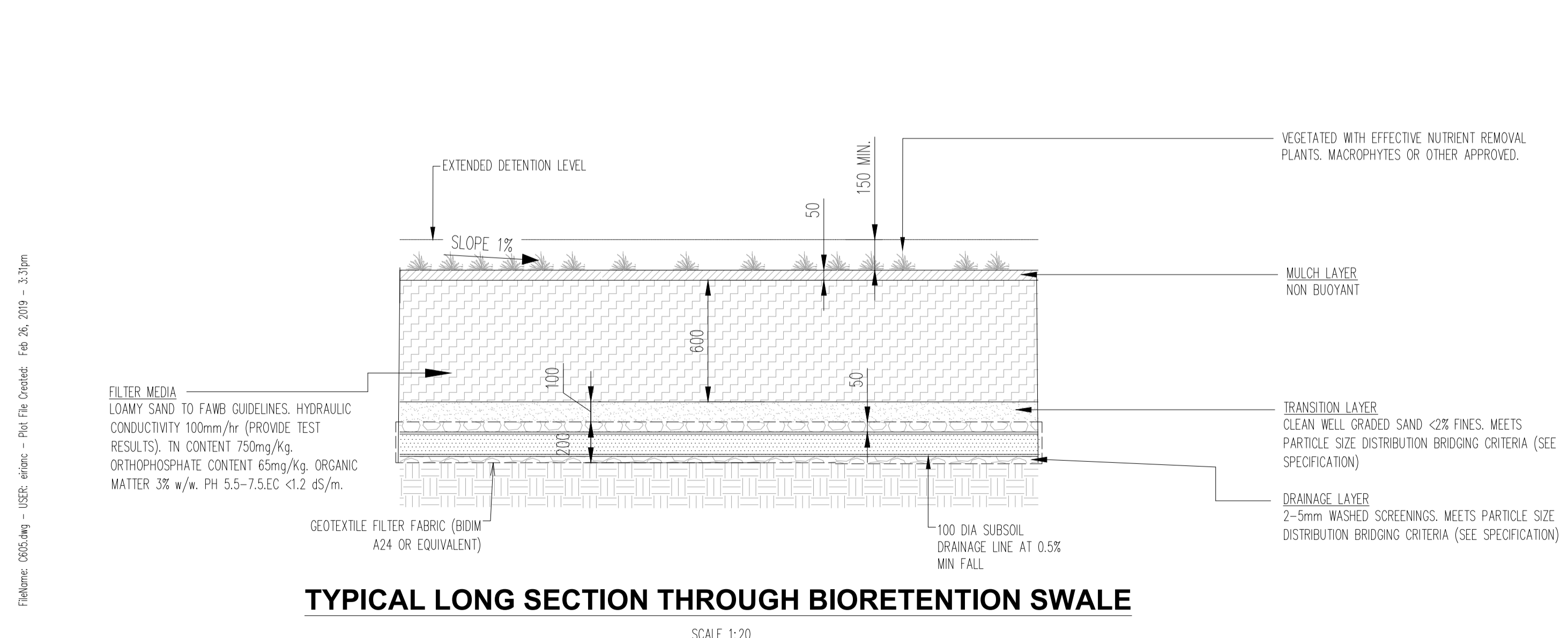
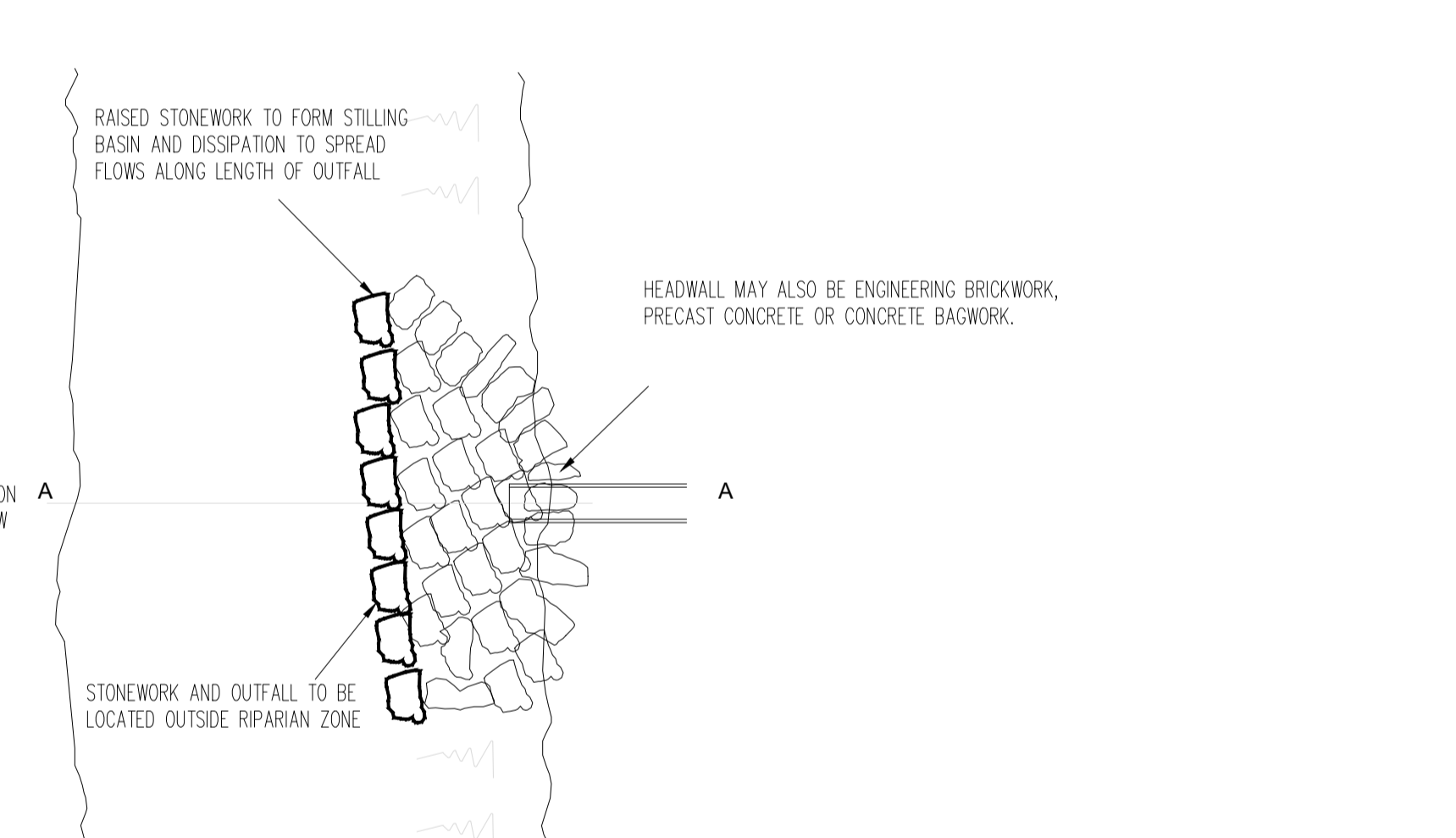
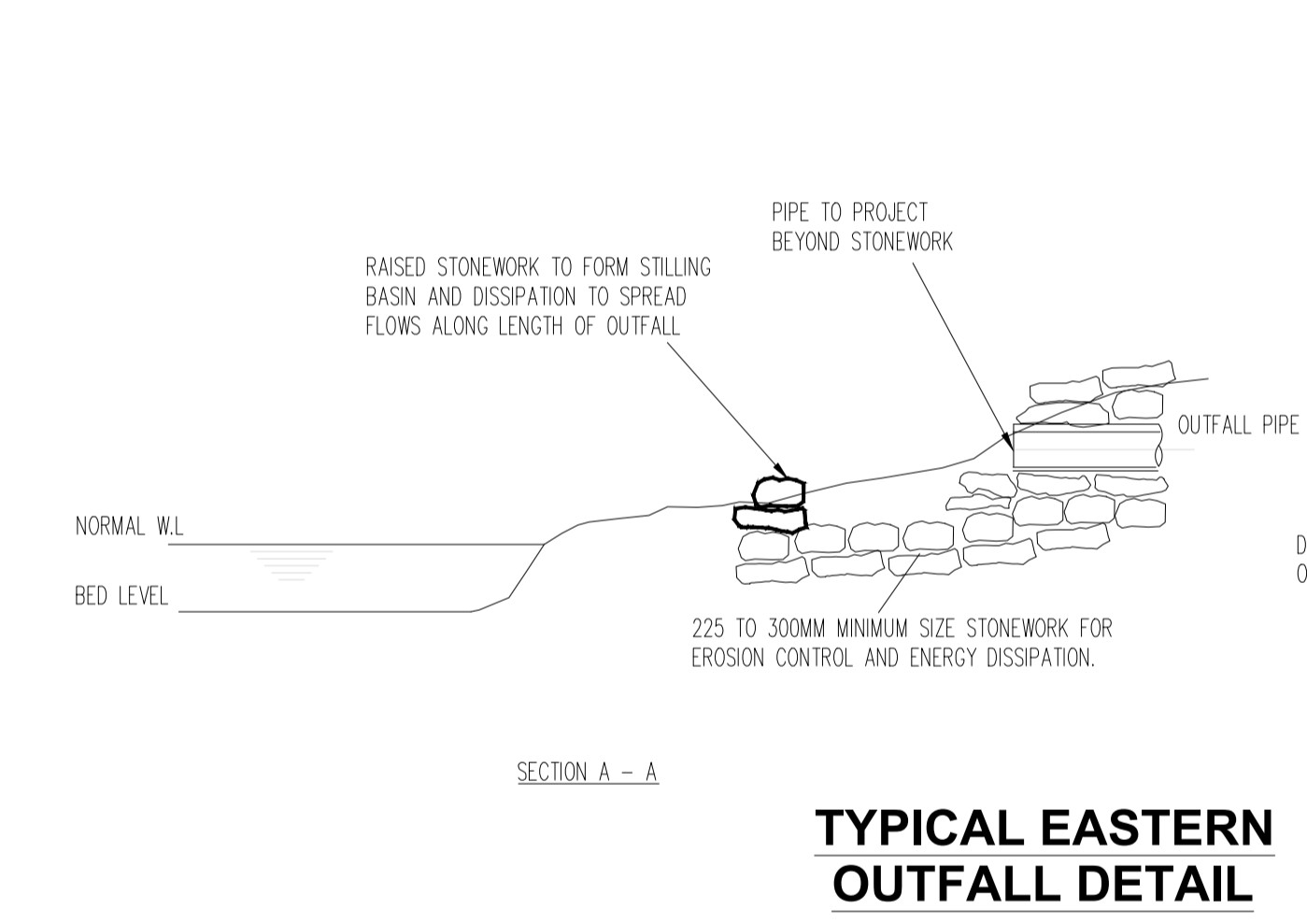
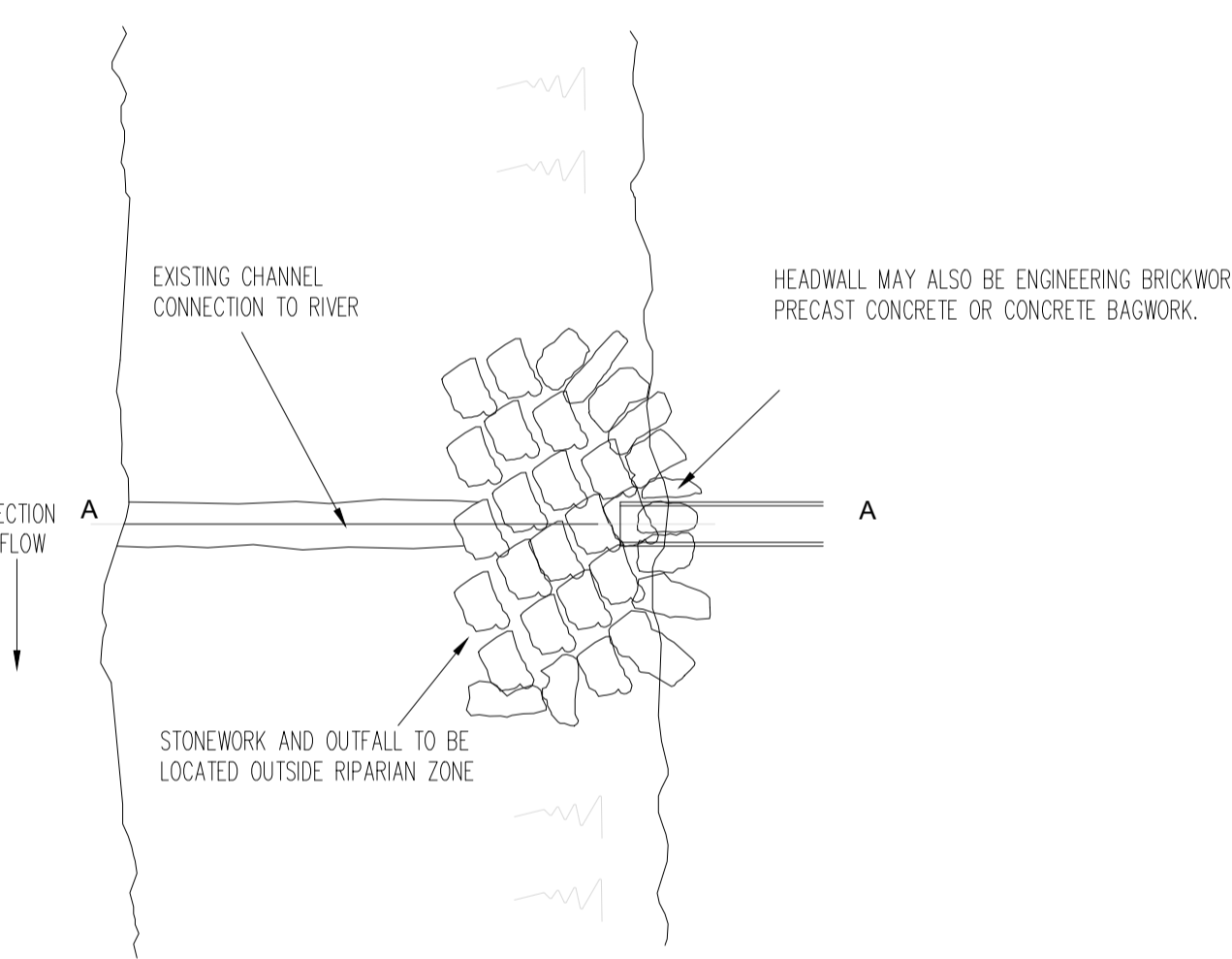
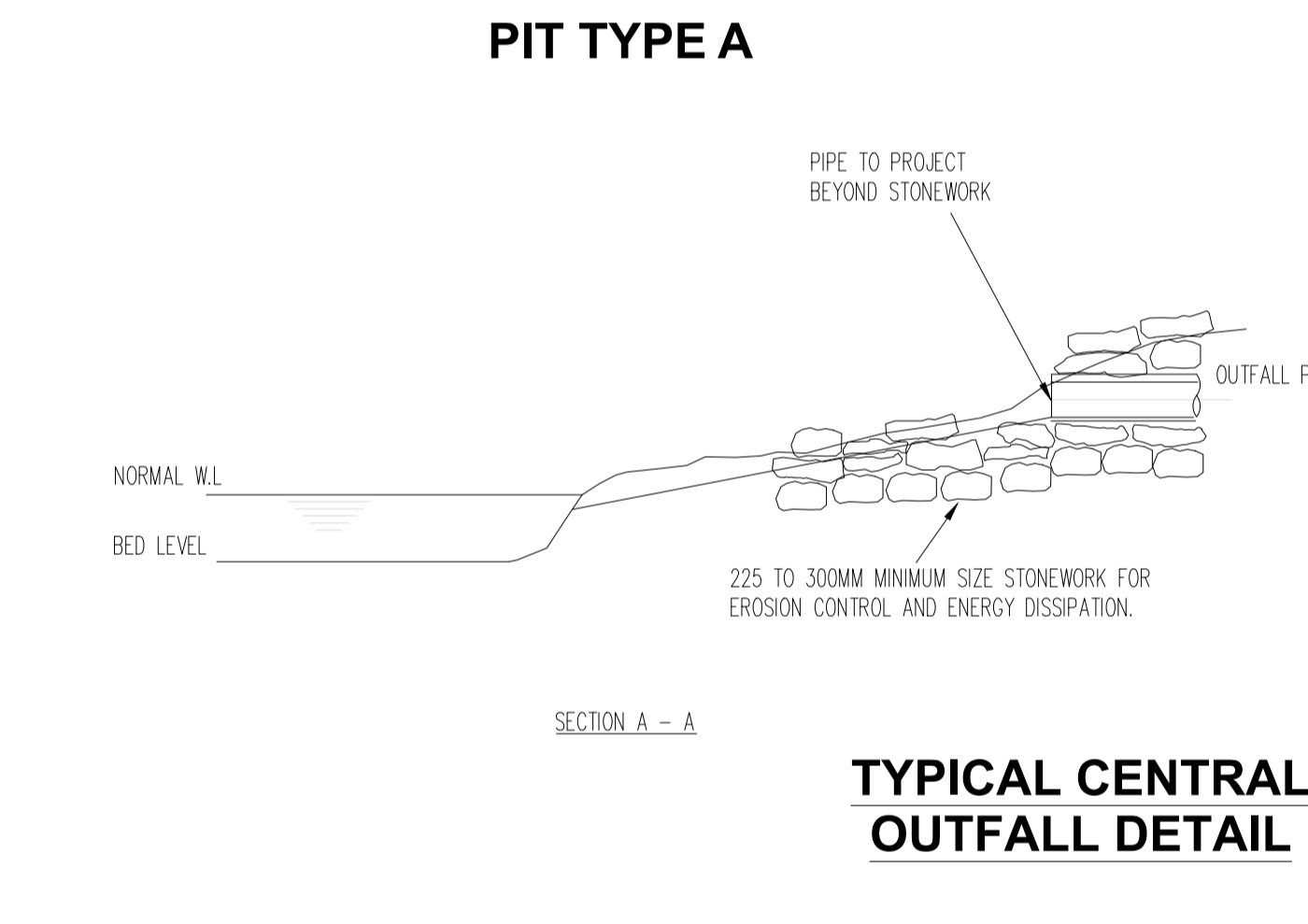
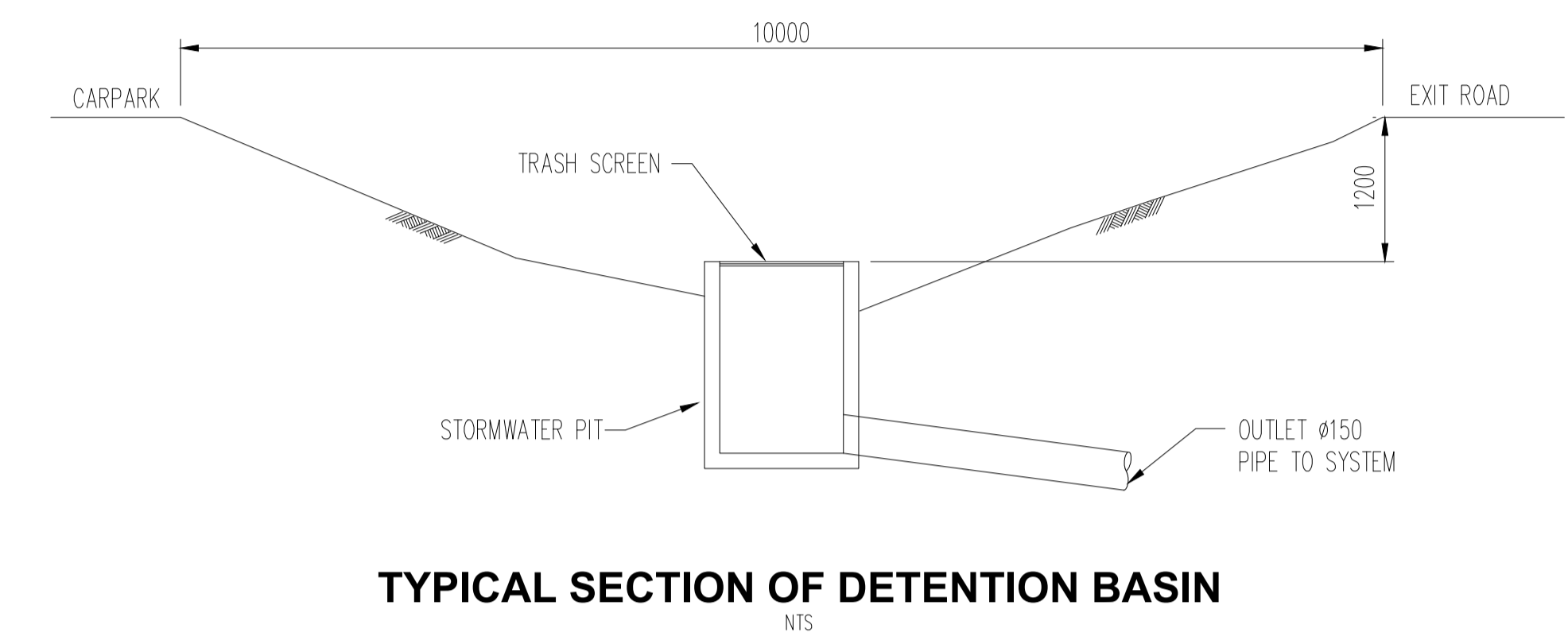
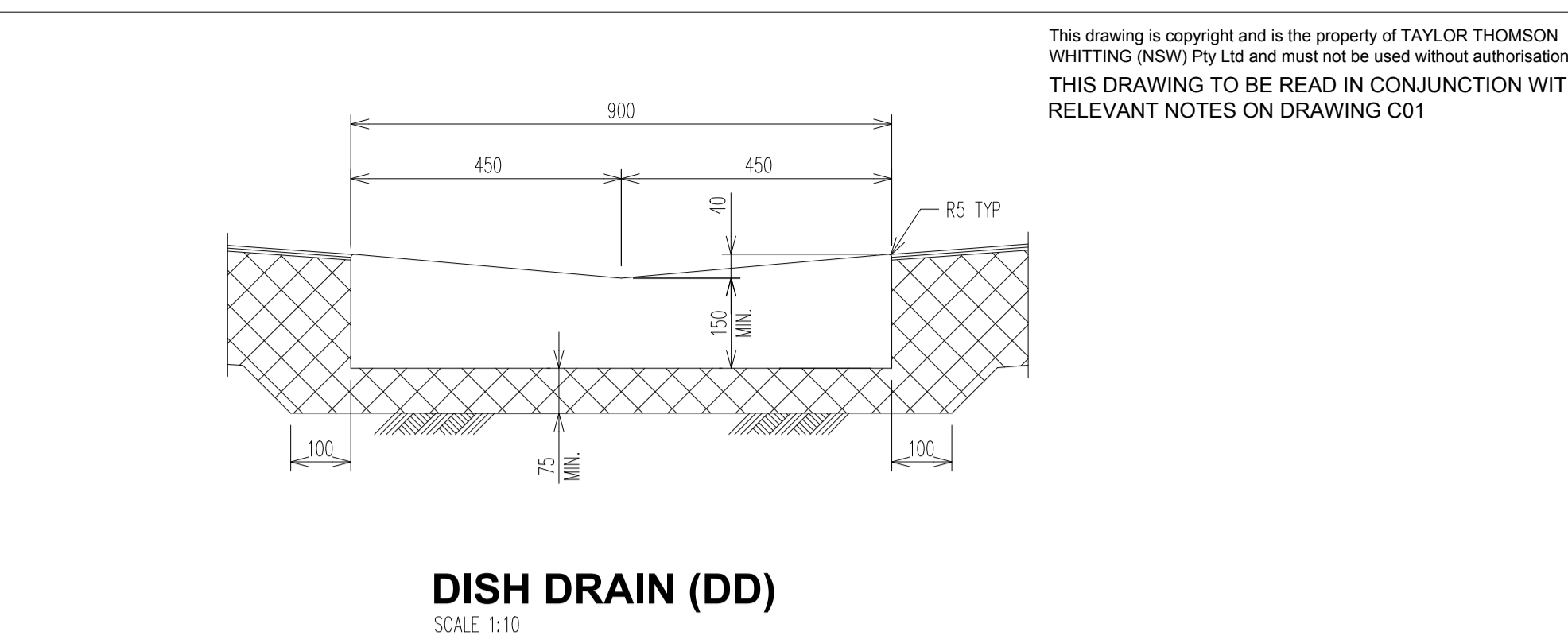
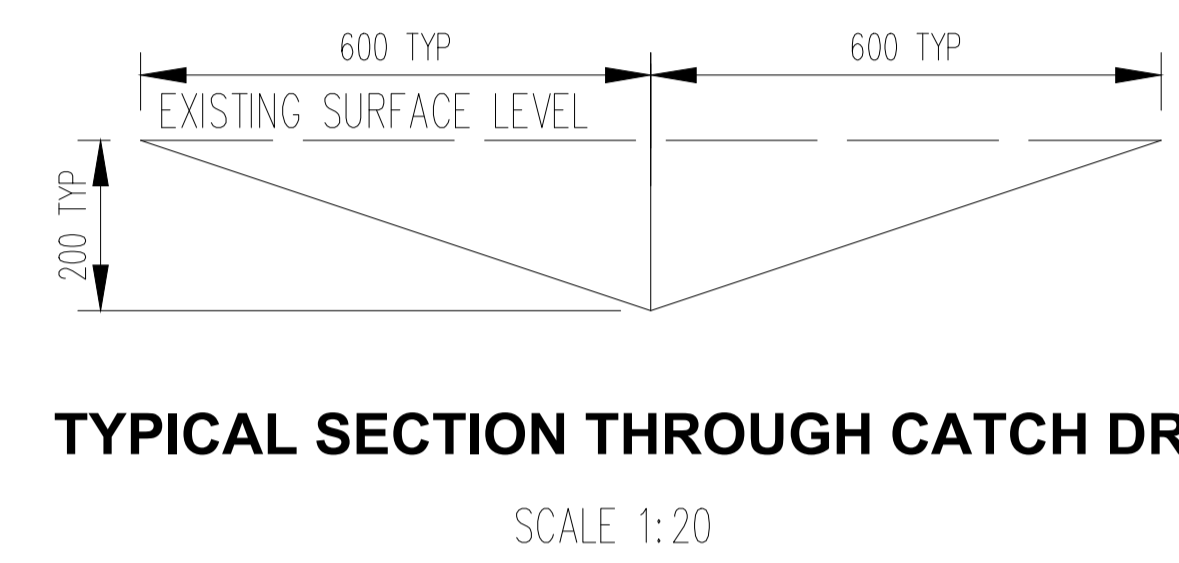
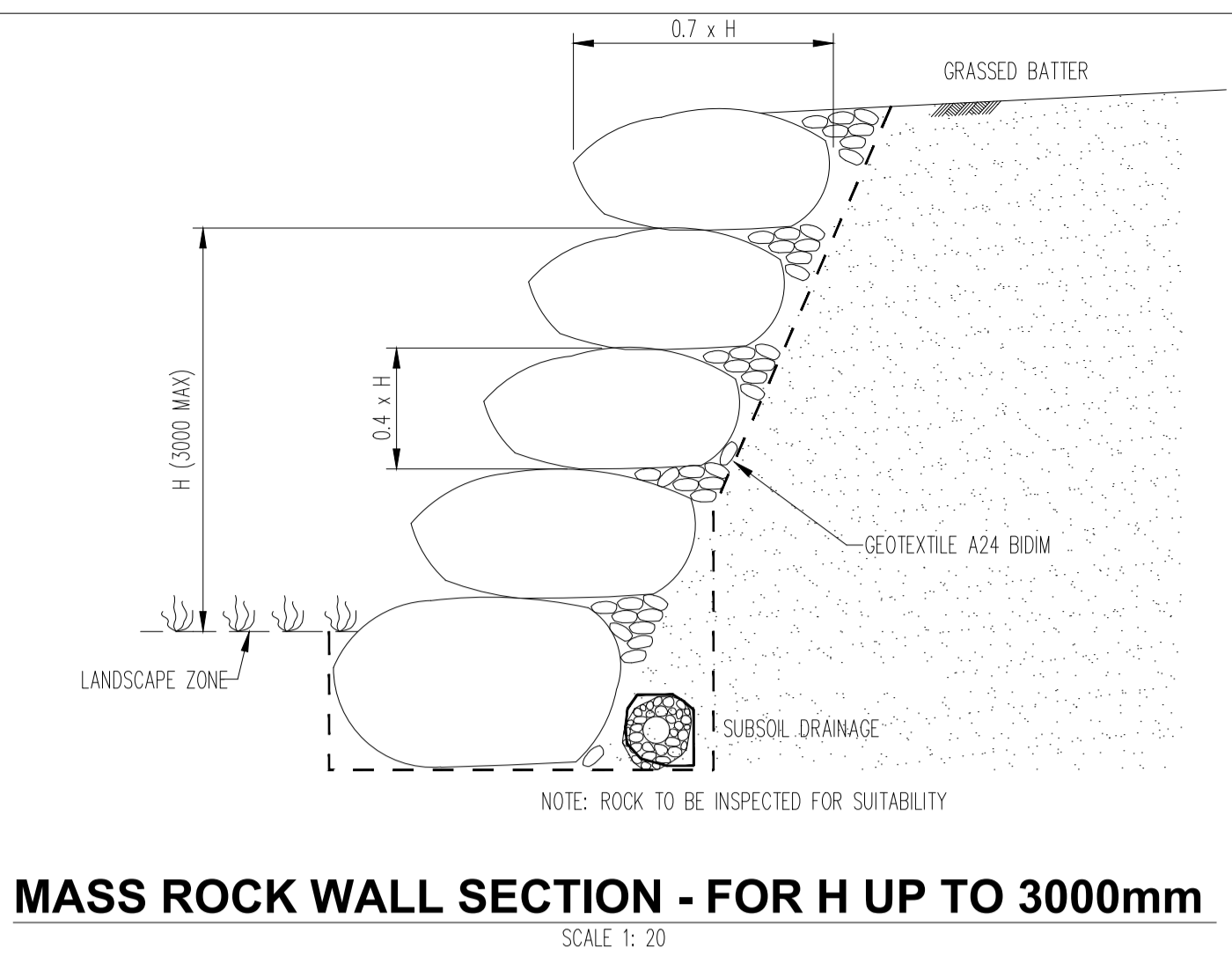
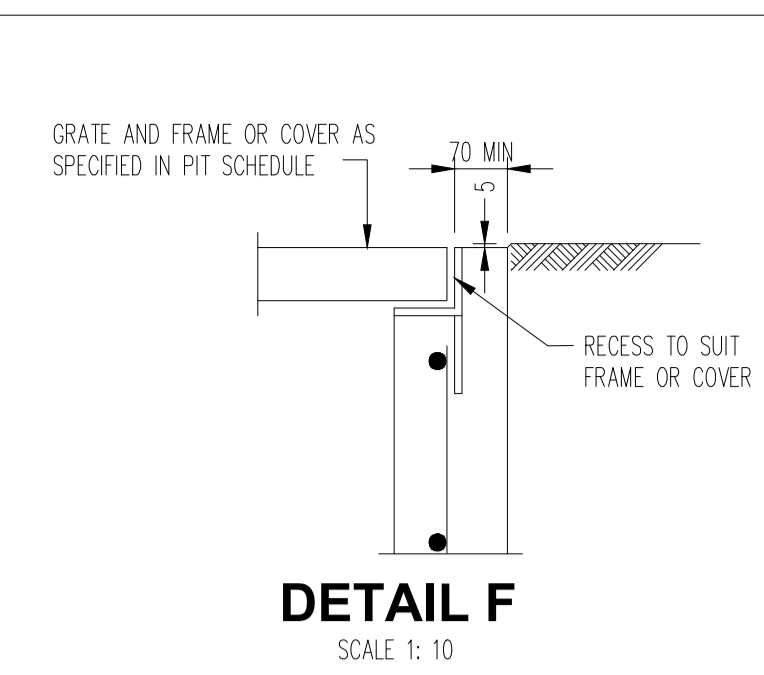
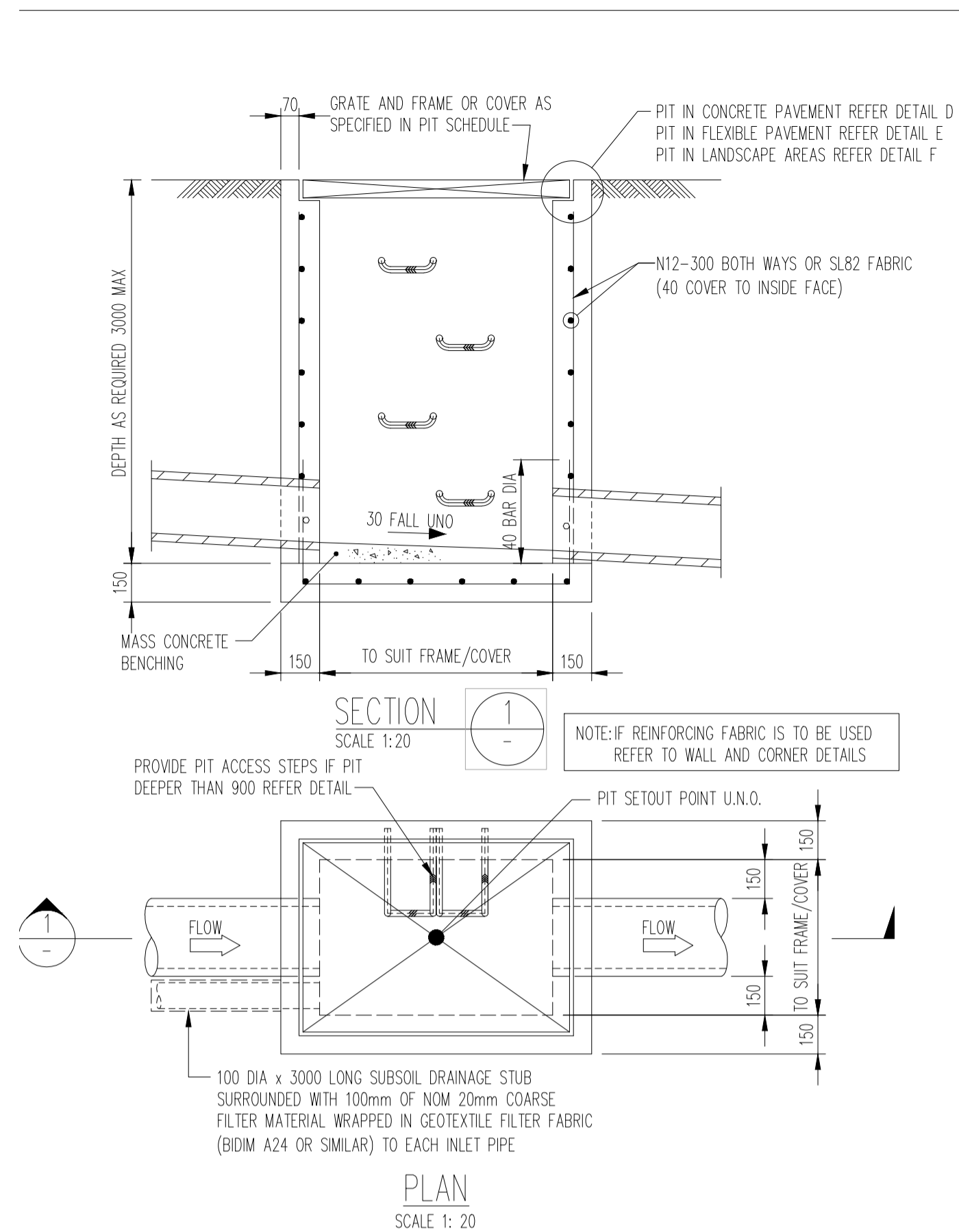


Filename: C604.dwg - USER: smpy - Plot File Created: Feb 13, 2019 - 3:08pm

DA SUBMISSION

Rev	Description	Eng	Draft	Date	Rev	Description	Eng	Draft	Date	Rev	Description	Eng	Draft	Date
P2	EXISTING GROUND LEVEL UPDATED	EC	SP	13.02.2019										
P1	ISSUE FOR COMMENTS	EC	HM	10.12.2018										

Client	Civil Engineer	Project	THREDBO ALPINE RESORT FRIDAY FLAT CAR PARKS	Sheet Subject	SECTION SHEET 2	Scale	A1 1:400	Drawn	WVW	Authorised	SB			
<p>612.9439 7288   48 Chandos Street St Leonards NSW 2065</p>		<p>Revision</p> <table border="1"> <tr> <td>181487</td> <td>C604</td> <td>P2</td> </tr> </table>		181487	C604	P2	<p>Job No</p>		<p>Drawing No</p>		<p>Revision</p>		<p>Plot File Created: Feb 13, 2019 - 3:08pm</p>	
				181487	C604	P2								



Rev	Description	Eng	Draft	Date	Rev	Description	Eng	Draft	Date	Rev	Description	Eng	Draft	Date
P2	DA SUBMISSION	EC	JW	26.02.19										
P1	DA SUBMISSION	EC	JW	18.02.19										

Client	Civil Engineer	Project	THREDBO ALPINE RESORT FRIDAY FLAT CAR PARKS	Sheet Subject	DETAIL SHEET 1	Scale : A1	Drawn	Authorised
	<b>TTW</b> Taylor Thomson Whitting		612 9439 7288   48 Chandos Street St Leonards NSW 2065			NTS	HM	SB
						Job No	Drawing No	Revision
						181487	C605	P2
						Plot File Created: Feb 26, 2019 - 3:31pm		

DA SUBMISSION